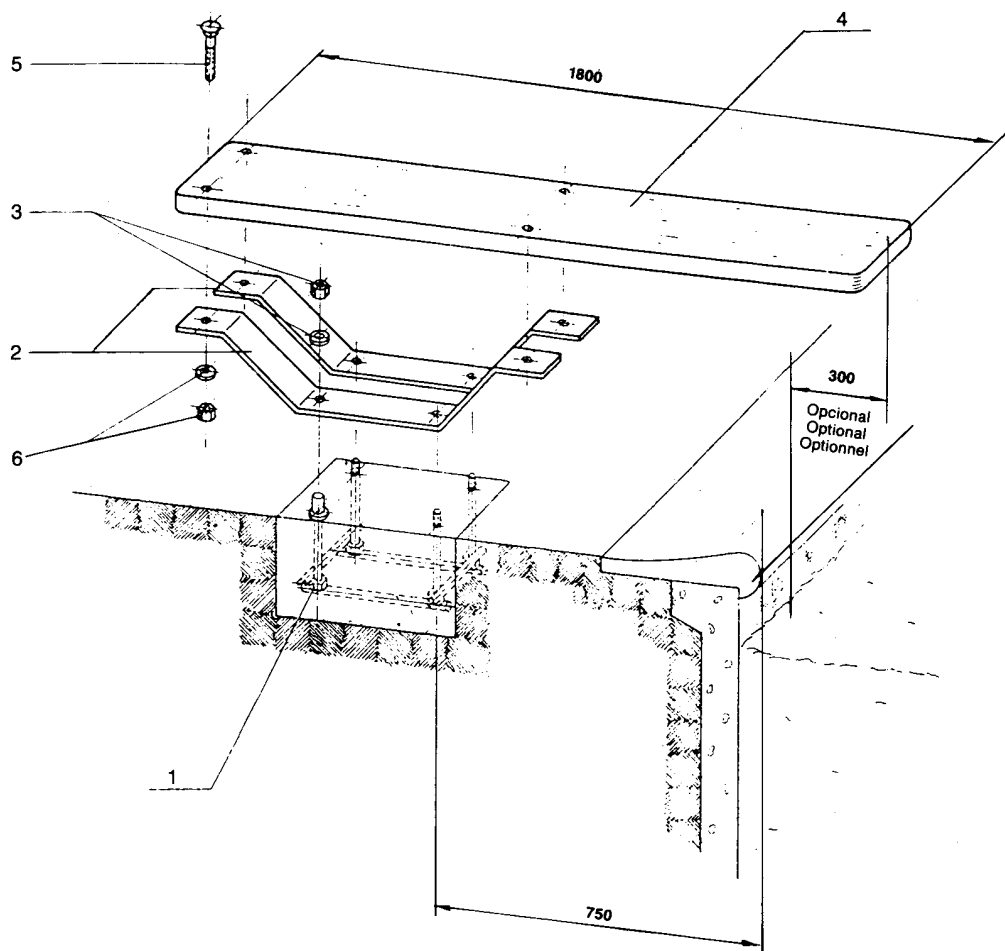




Ref. 00077 <https://wszystkodobasenow.pl/trampolina-ballesta>

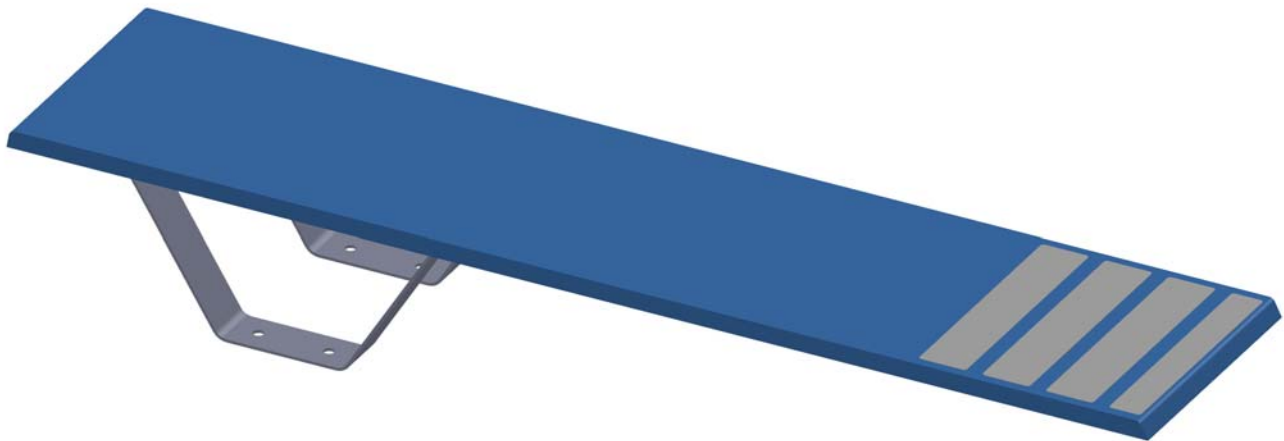


LIST OF COMPONENT PARTS

Pos. / Pos. / Pos.	Cant. / Quant. / Quant.	DENOMINACIÓN / DESCRIPTION / DENOMINATION	Ref. recambio / Spare part ref. / Ref. rechange
1	1	Anclaje / Anchoring / Ancrage	00077R0102
2	2	Ballesta / Spring / Ressort	00077R0101
3	4	Tuerca y arandela M16 / Nut and washer M16 / Ecrou et rondelle M16	70721R1600 / 70719R16000
4	1	Plataforma 1'8 x 0'4 m. / Platform 1'8 x 0'4 m. / Plate-forme 1'8 x 0'4 m.	00077R0001
5	4	Tornillo M12 x 100 / Screw M12 x 100 / Vis M12 x 100	00071R0003
6	4	Tuerca y arandela M12 / Nut and washer M12 / Ecrou et rondelle M12	70121R14000/70119R14000

- A. - Dig the hole in which to bury the anchoring (1). Take into account the fact that rod length which is to protrude from the concrete for the fastening of the springs, is determined by plugs, which at the same time, protect the thread in the concrete filling operations.
- B. - Place the springs (2) on the anchorings (1) and fasten them down carefully using the nuts and washers (3).
- C. - Place the platform (4) on the springs (2) and fasten it firmly using the screws (5), nuts and washers.
- D. - Aling the whole assembly with respect to the swimming pool and proceed to fasten it firmly, using the nuts and washers (3).

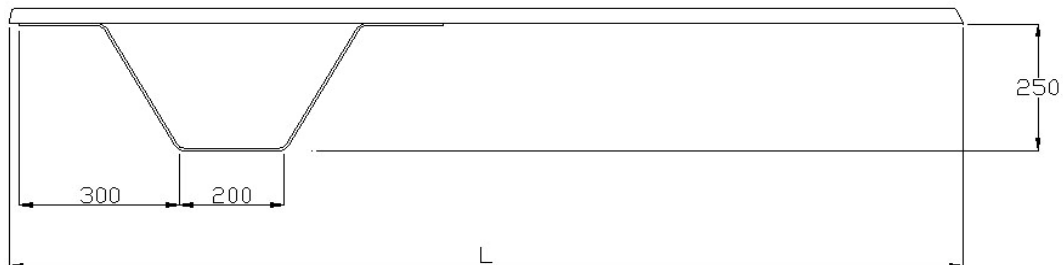
Product: **Springboard Ballesta**



- . Springboard made in polyester and fiber glass.
- . Color light blue.
- . Anchorage in galvanized steel.

Product: **Springboard Ballesta**

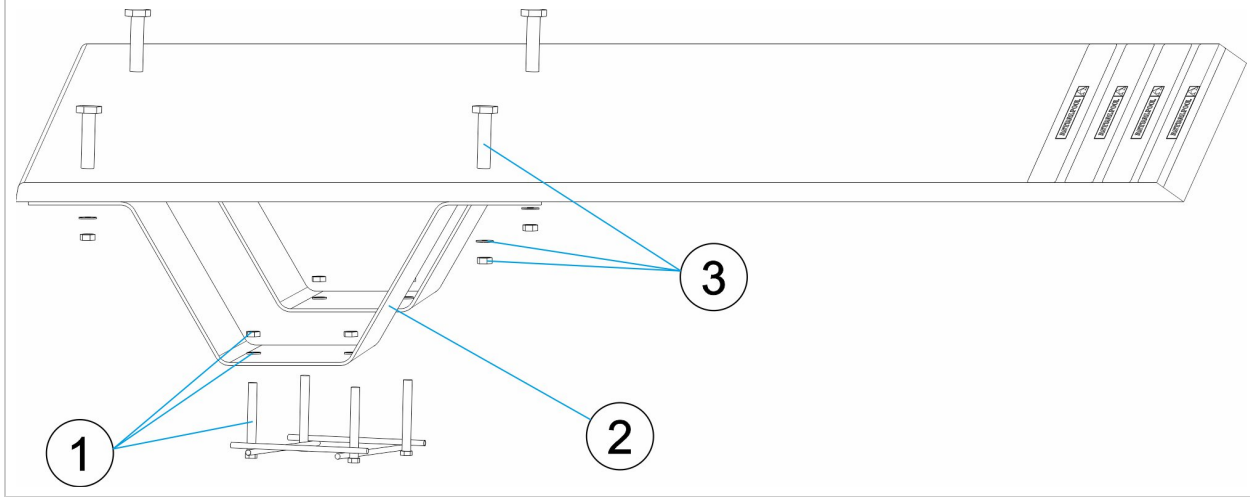
Tabla 1		Modelo Ballesta Model Ballesta			
Código Code	Embalage Packaging	Peso (kg) Weight (kg)	Volumen (m3) Volume (m 3)	L	h
00077	0,45x0,60x1,90	27	0,084	180	40
00078	0,45x0,60x1,50	25	0,072	140	40



in mm

00077 - SPRINGBOARD BALLESTA MODEL 1,40M / 1,80M

Revision no.: 0 | Date: 15-09-2023



 Piezas del despiece (kits o unitarios)

POS.	CÓDIGO	DESCRIPCIÓN
1	4401020901	ANCHOR
2	4401020904	SUPPORTS
3	4401020903	BOLT SET FOR SUPPORTS